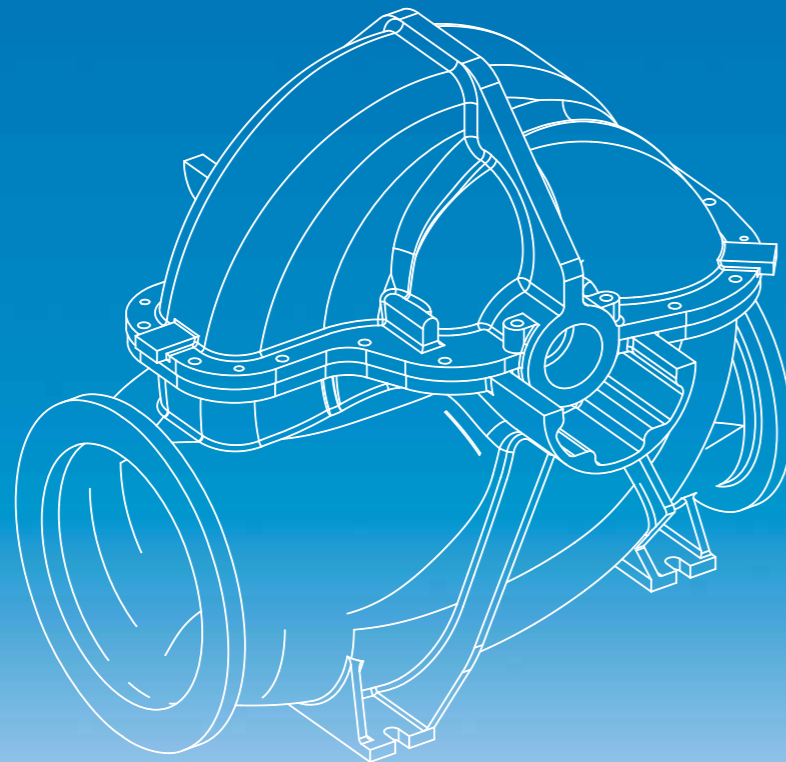


For Earth, For Life


KUBOTA

Double suction volute pump

DV-L type J series



KUBOTA Corporation

DOMESTIC OFFICES AND OVERSEAS OFFICES

Tokyo Office

1-3, Kyobashi, 2-chome, Chuo-ku,
 Tokyo 104-8307 Japan
 Phone: +81-3-3245-3444
 Facsimile: +81-3-3245-3454

KUBOTA CORPORATION DUBAI OFFICE

Office No. LB180508 & 180509, JAFZA VIEW 18, Jebel
 Ali Free Zone,
 P.O.Box17440, Dubai, UNITED ARAB EMIRATES
 Phone : +971-4-8857033
 Facsimile : +971-4-8857032

KUBOTA CORPORATION MALAYSIA BRANCH OFFICE

801A, Amcorp Tower, Amcorp Trade Centre, No.18,
 Jalan Persiaran Barat 46050 Petaling Jaya, Selangor,
 MALAYSIA
 Phone : +60-3-7954-2334
 Facsimile : +60-3-7954-1335

KUBOTA KASUI THAILAND CO., LTD.

719, 19th Floor KPN Tower Building, Rama 9 Road,
 Bangkok, Huay-Kwang, Bangkok 10320, Thailand
 Phone : +66-2717-0815
 Facsimile : +66-2717-0816

KUBOTA KASUI PHILIPPINES CORPORATION

Suite 302, 3rd Floor Golden Rock Building, No.168 Salcedo St.,
 Legaspi Village, Makati City, Philippines 1229
 Phone : +63-2-957-2379
 Facsimile : +63-2-856-5519

KUBOTA KASUI VIETNAM CO., LTD.

No.3, Street 20, Song Than Industrial Zone II, Di An Dist.,
 Binh Duong Province, VIETNAM
 Phone : +84-6503-790521
 Facsimile : +84-6503-790526

KUBOTA SANLIAN PUMP (ANHUI) CO., LTD.

<http://www.kubota-sanlian.cn>
 He Xian County Economic Development Zone in Anhui Province,
 238
 Phone: +86-555-5338018

[http://www.kubota-global.net/
 products/pumps/](http://www.kubota-global.net/products/pumps/)

KUBOTA double suction volute pump

DV-L type J series

Double suction volute pump with higher efficiency and enhanced suction performance.

Our double suction volute pump DV-LJ is the latest pump series developed by KUBOTA, following an abundant feedback from major customers. As an advanced pump, the DV-LJ provides a total reliability and better cost-performance.

The DV-LJ series is available in extensive line-up and can be useful in various applications.

Features

1 High efficiency

Higher efficiency has been achieved using the latest hydraulic analysis. This unique design provides power saving and CO₂ reduction.

2 Enhanced suction performance

DV-LJ is operated with enhanced suction performance. Stable operation is made possible, even at lower water level.

3 Easy maintenance

Easily replaceable string-shaped rubber gasket is employed for the upper and lower seal face, and the shaft seal water piping is incorporated into the casing. Maintenance time is shorter since a number of parts have been reduced.

4 Increased durability and reliability

This pump has been developed through optimum design using the FEM structural analysis. Furthermore, standard stainless steel impeller and shaft offers better durability and corrosion protection.

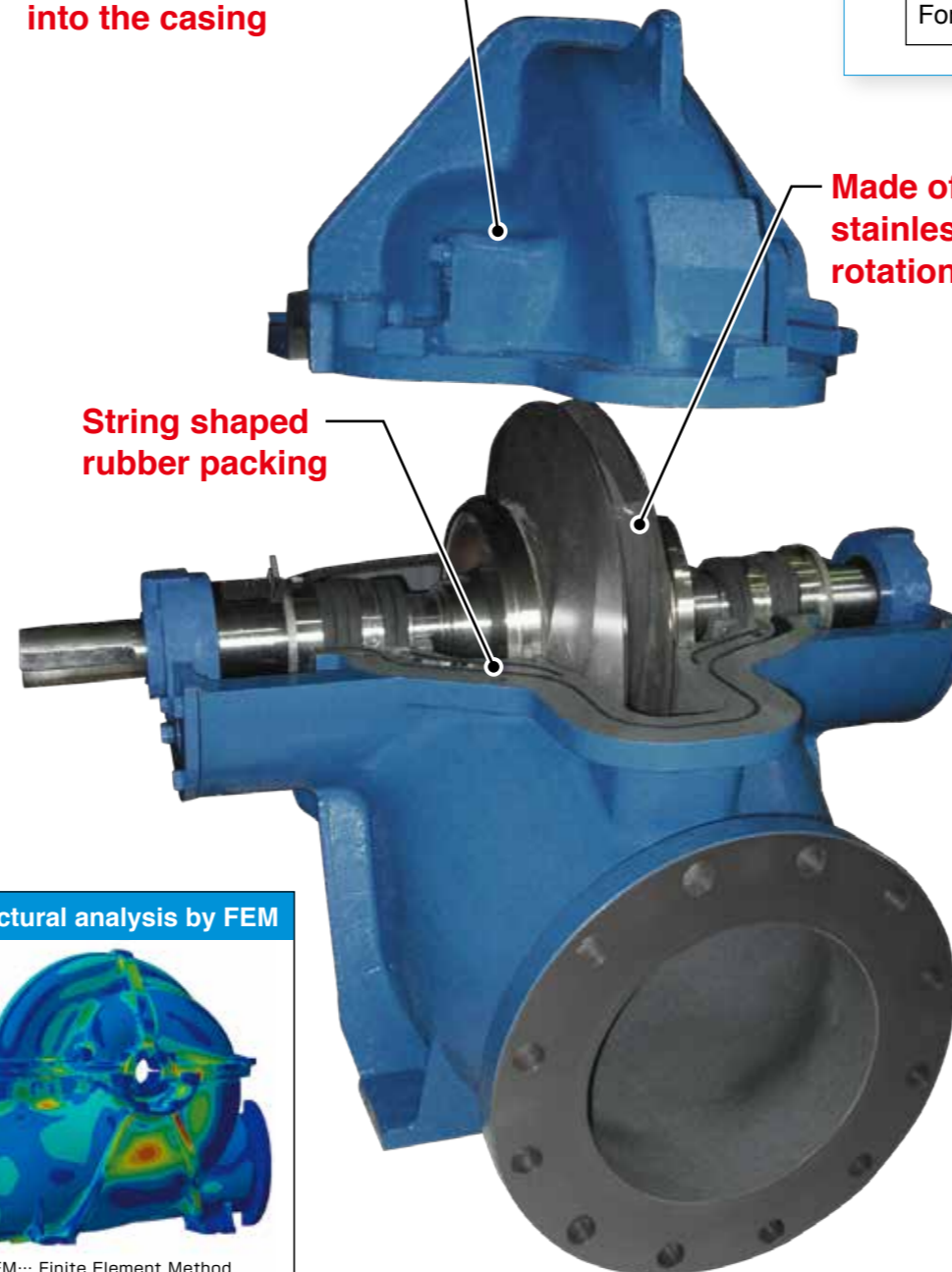
5 Light weight and compact

Lighter weight and compact size is achieved by full model change. Thus installation space can be saved and easier to handle.

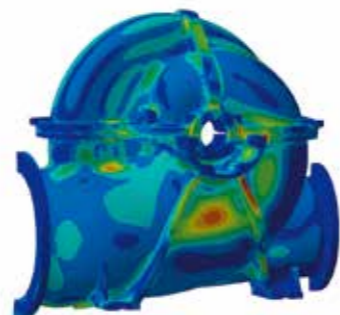
Incorporated shaft seal water piping into the casing

Made of stainless steel rotation body

String shaped rubber packing



Structural analysis by FEM



FEM... Finite Element Method

Application

1 City

For desalination, water intake, water transmission, pressurization, water distribution, front and back wash etc.

2 Industry

For water supply, cooling water circulation etc.

3 Irrigation

For agriculture, drainage etc.

4 Building, air-conditioning

For water supply, fire-extinguish, etc.

Specification detail

- Suction bore : $\Phi 200 \sim \Phi 1350$
- Capacity : $3.2 \text{m}^3/\text{min} \sim 415 \text{m}^3/\text{min}$
- Total head : $8 \text{m} \sim 280 \text{m}$
- Number of poles : 2P~14P

Material

Parts name	Standard Material / Eq.JIS grade	Optional
Casing ^{note1)}	Gray iron casting / FC250 Ductile iron casting / FCD450-10	Steel casting, Duplex SS casting
Impeller	Stainless steel casting / SCS13	Steel casting, Duplex SS casting
Shaft	Stainless steel / SUS403	Carbon Steel, Duplex SS
Casing ring	Stainless steel / SUS304	Any other materials
Packing sleeve	Stainless steel / SUS304	Any other materials

note1) Different in the standard material every frame No.

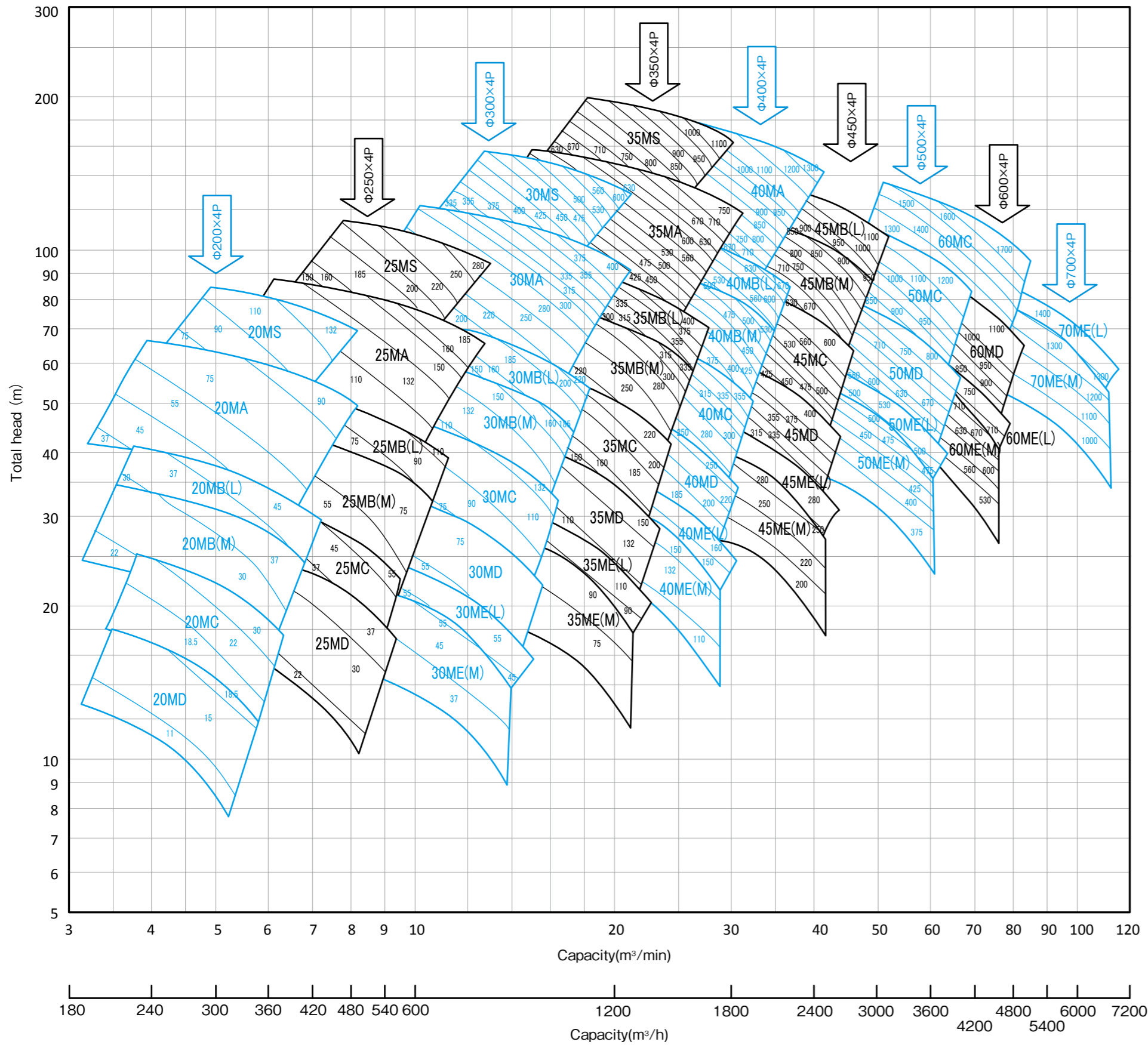
Pump specification

	Standard	Optional
Liquid	Fresh water, River water, Industrial water	Sea water
Liquid temperature	0°C to 80°C	N.A
Suction pressure	<0.1MPa, <0.2MPa ^{note2)}	
Flange	ISO	JIS, ANSI, BS
Bearing	Ball, Roller ^{note2)}	
Bearing lubrication	Grease, Oil ^{note2)}	
Impeller ring	Not provided	Adaptable
Shaft seal	Gland packing	Mechanical seal
Sleeve	Only gland packing section	Shaft sleeve are adaptable
Painting	Casing internal: Epoxy resin painting for water service Outside surface: Epoxy resin painting	Specified painting
Finish color	Munsell 10B 6/6	Specified color
Driving machine	Electric motor	
Rotating direction	Clockwise (viewed from drive machine)	Counter-clockwise
Suction, discharge direction	horizontal-horizontal	—
Accessory	Base, Foundation bolts, Coupling, Coupling cover	Priming detector, Pressure gauge, Temperature detector

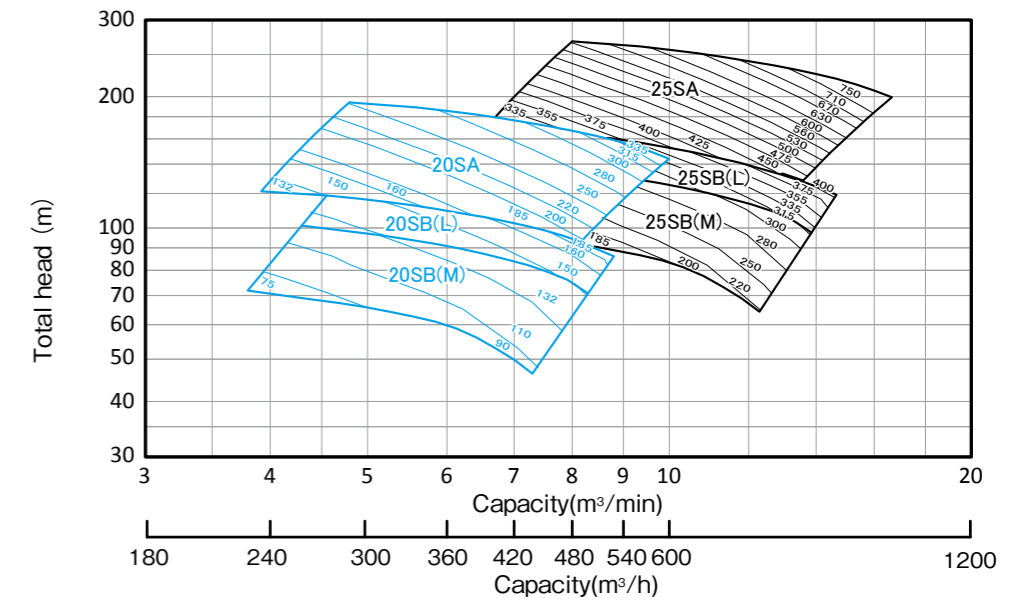
Note1) Contact us for any specification other than the above.

Note2) Different every frame No.

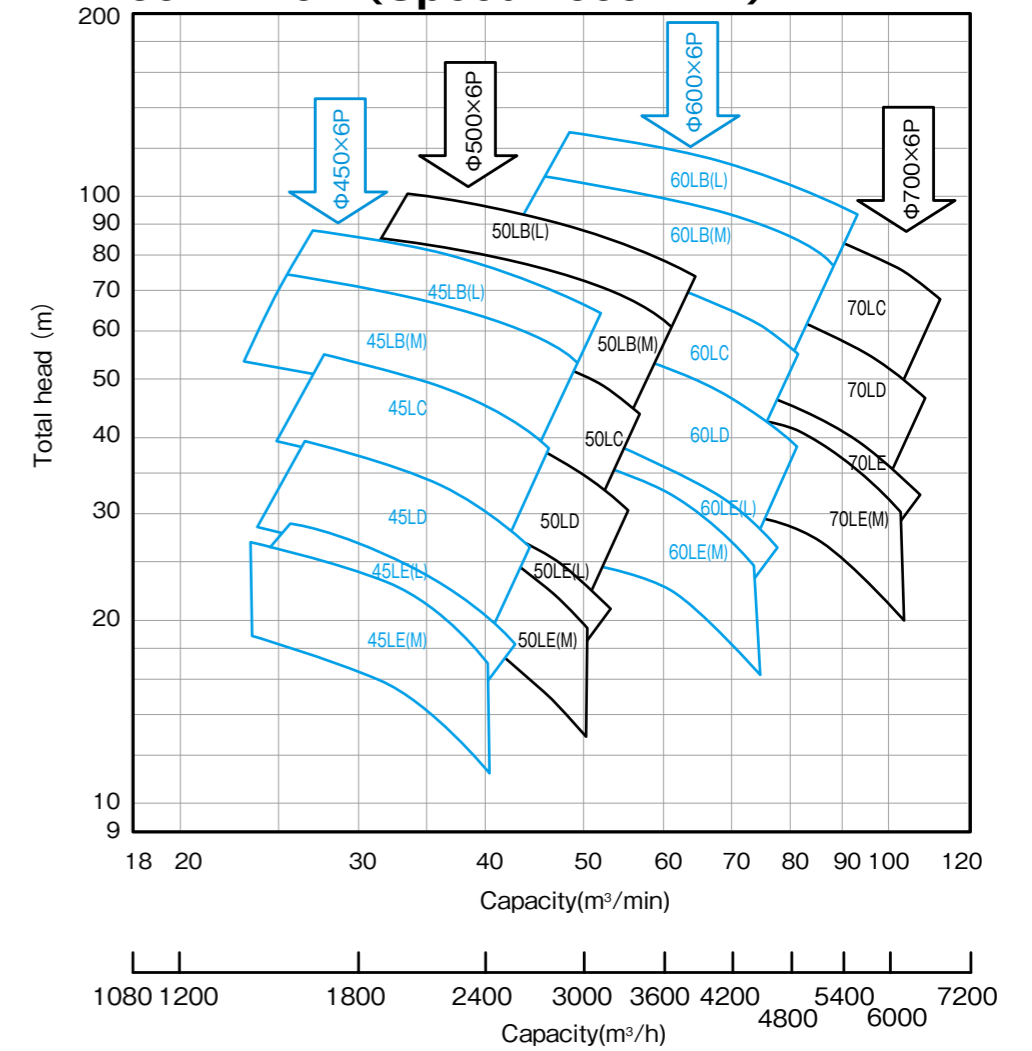
Frame No.20MS-70ME (4P)
50Hz x 4P (Speed 1500min⁻¹)



Frame No.20SA-25SB (2P)
50Hz x 2P (Speed 3000min⁻¹)

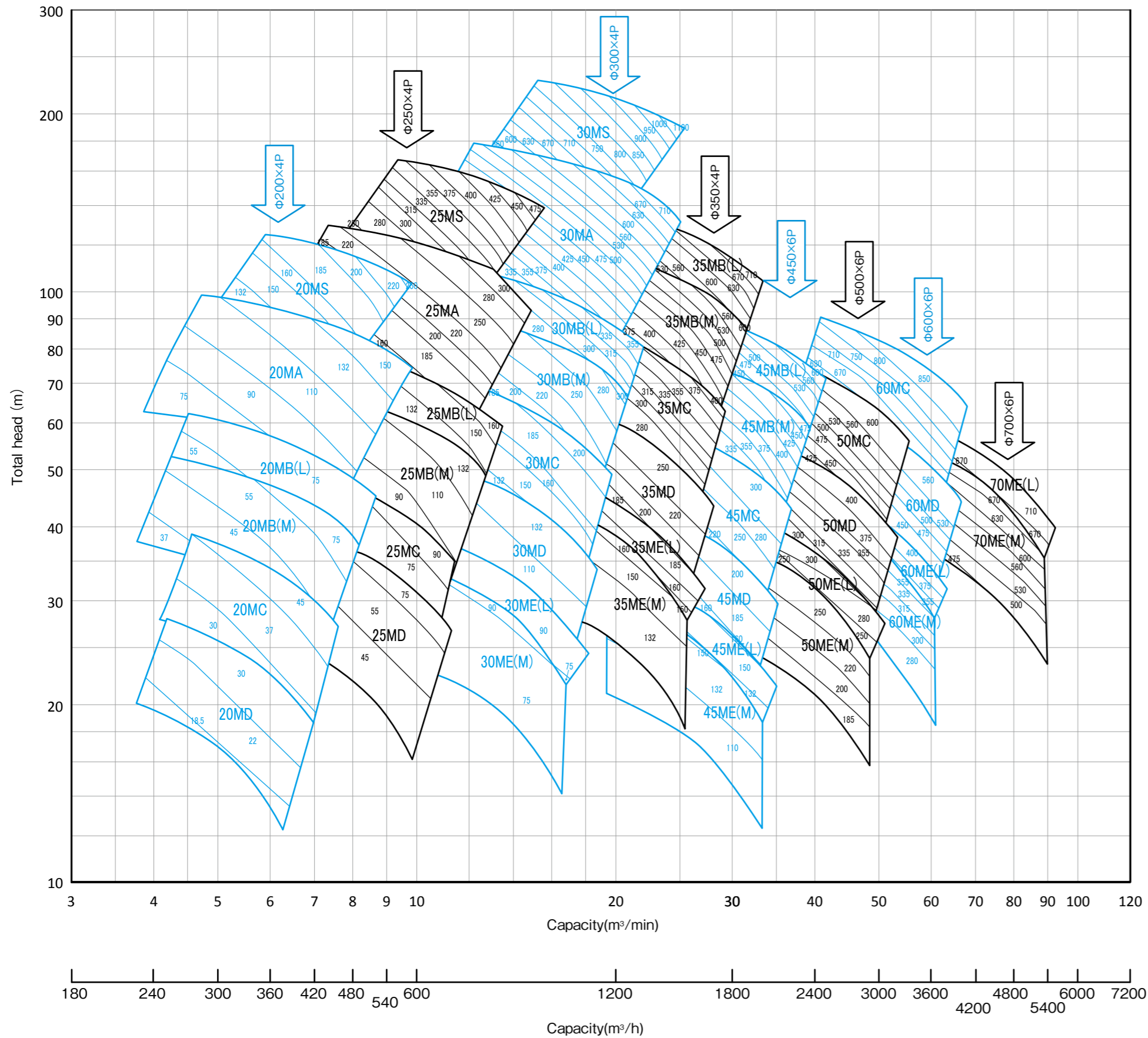


Frame No.45LB-70LE (6P)
50Hz x 6P (Speed 1000min⁻¹)

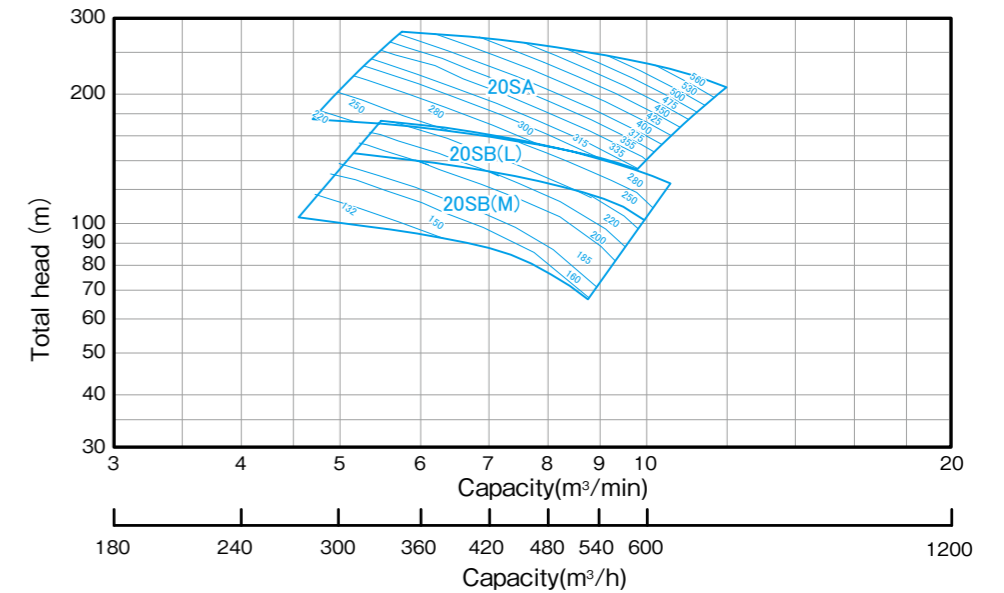


Selection chart (Suction bore 200 to 700)

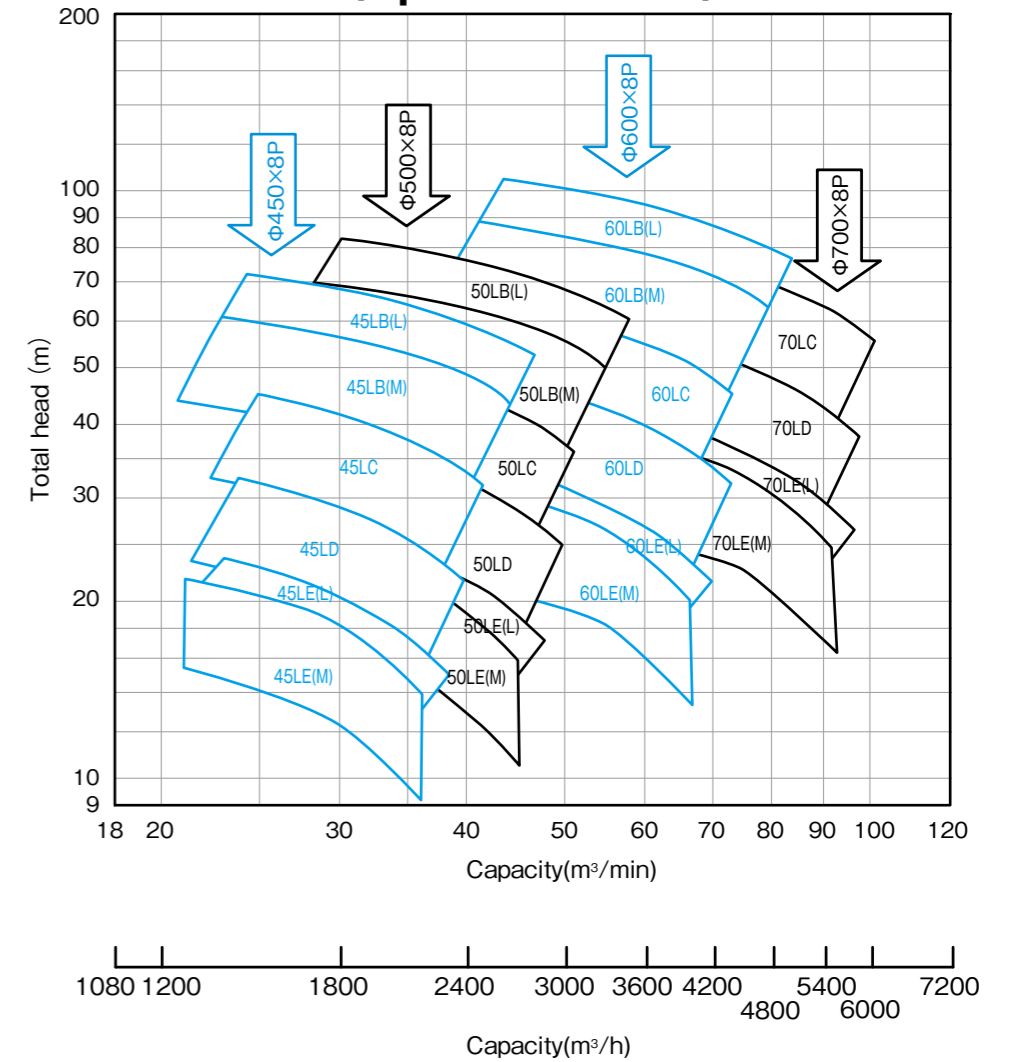
Frame No.20MS-35ME (4P), 45MB-70ME (6P)
60Hz x 4,6P (Speed 1800,1200min⁻¹)



Frame No.20SA-20SB (2P)
60Hz x 2P (Speed 3600min⁻¹)

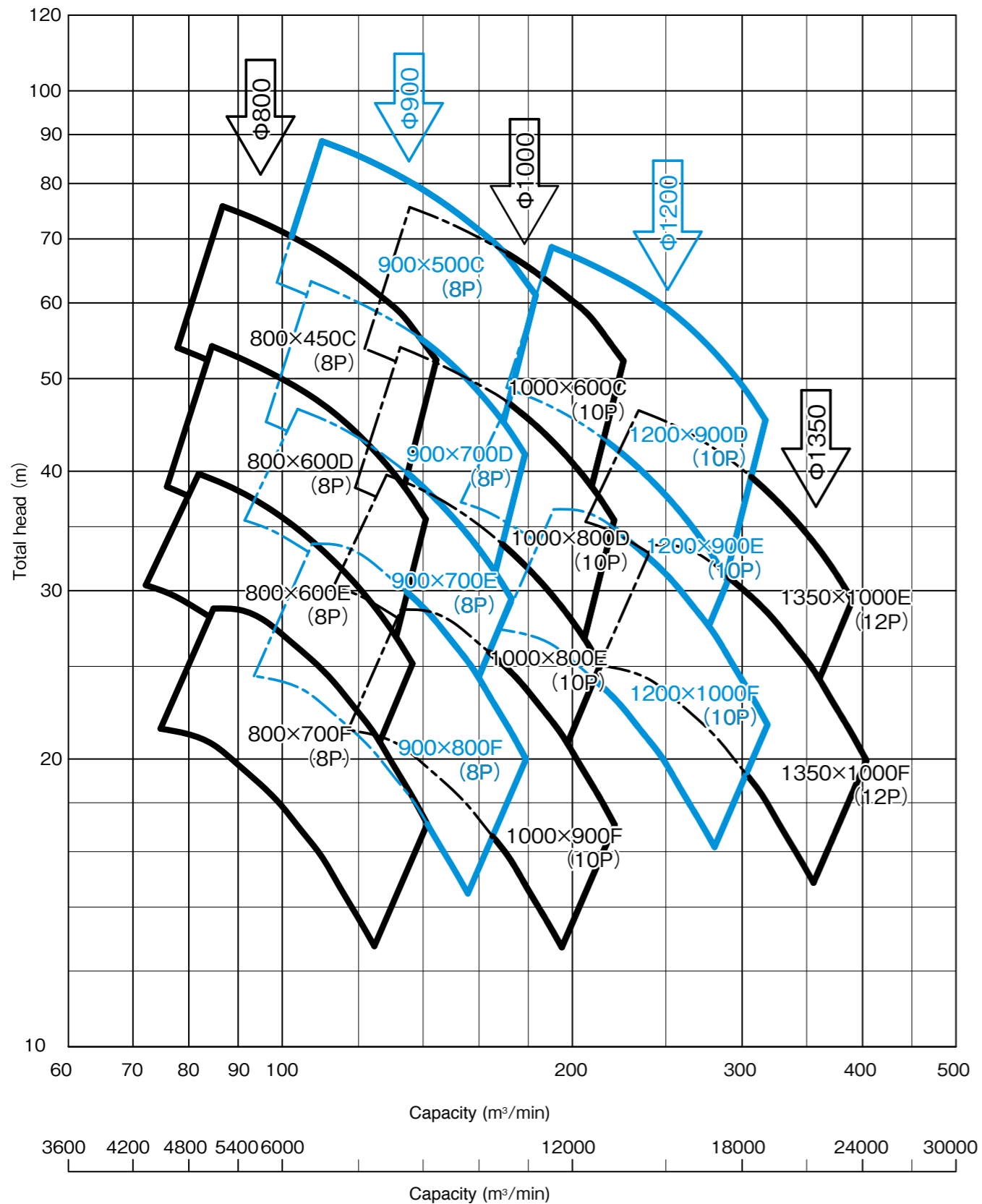


Frame No.45LB-70LE (8P)
60Hz x 8P (Speed 900min⁻¹)

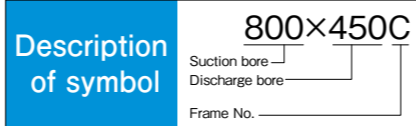


Selection chart (Suction bore 800 to 1350)

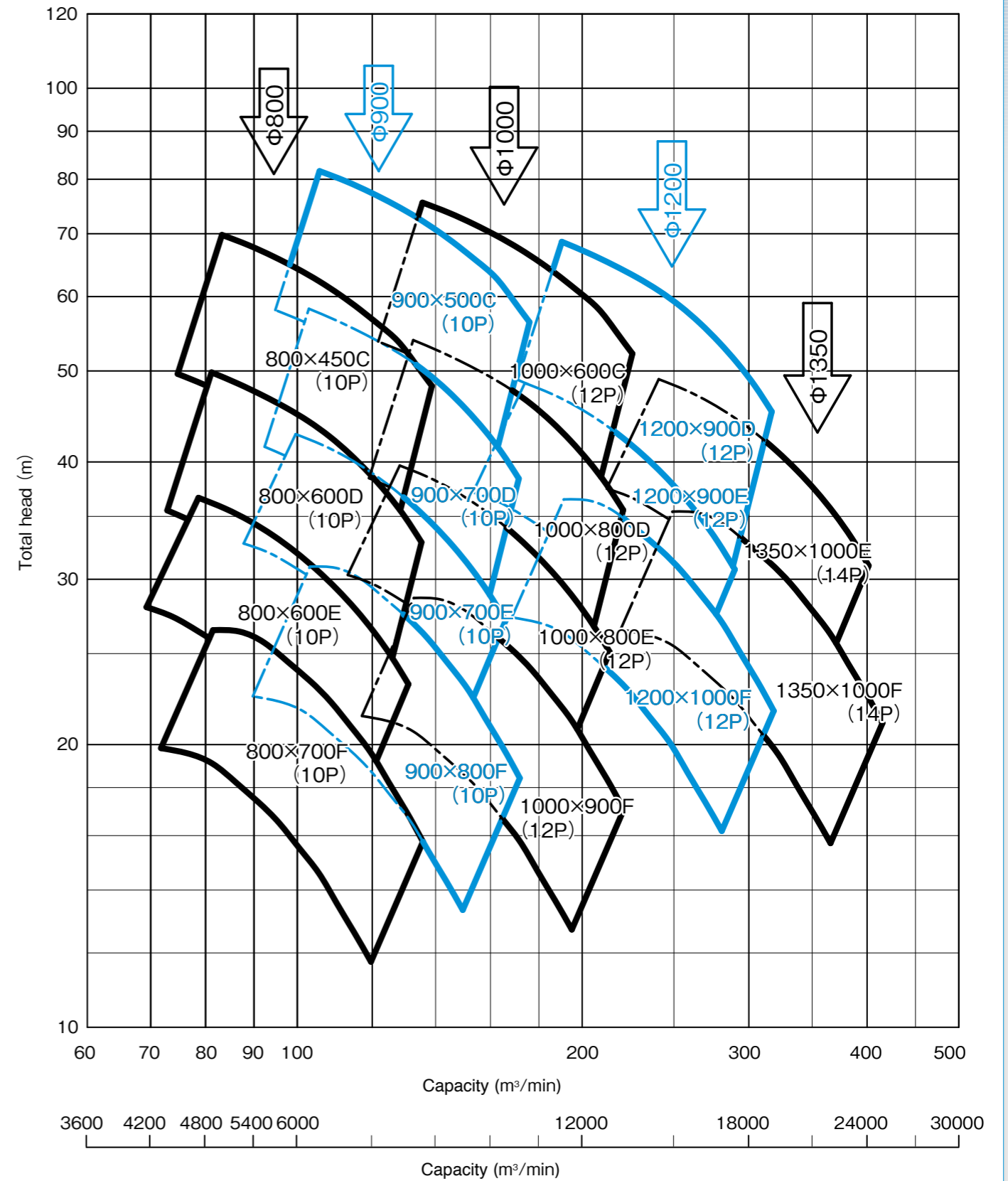
50Hz × 8P~12P (Speed 750min⁻¹~500min⁻¹)



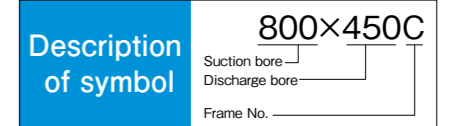
Note) Frames indicated here are for standard guidance.



60Hz × 10P~14P (Speed 720min⁻¹~514min⁻¹)



Note) Frames indicated here are for standard guidance.

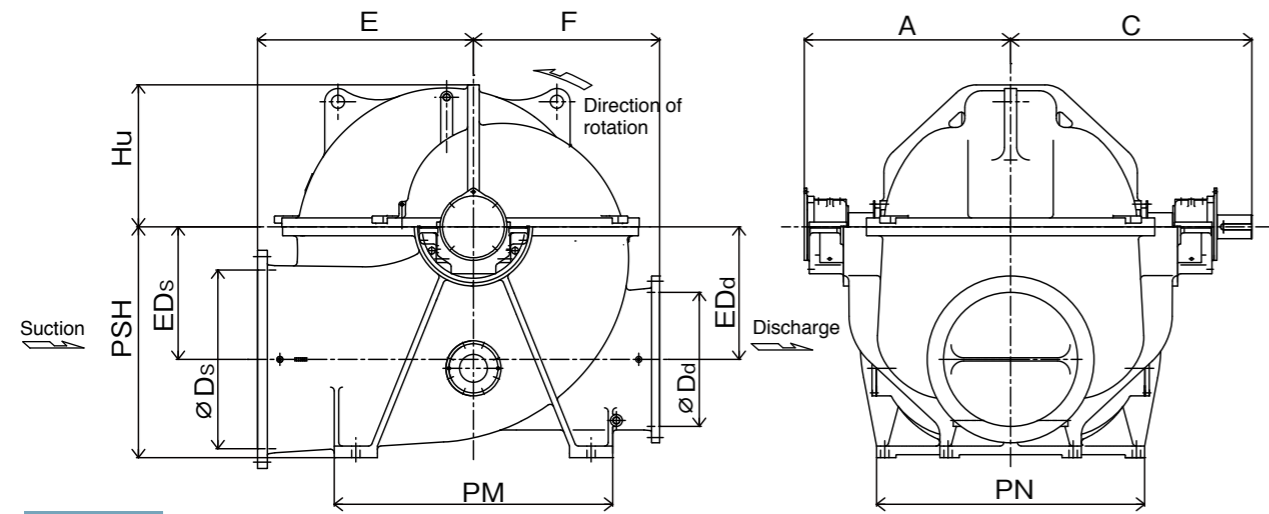


Outline dimension (Suction bore 200 to 700)

Unit(mm)																		
Frame No.	Motor output (kW)	Pole	Ds	Dd	A	C	E	F	EDs	EDd	H	PH	G	L	BN	BW	NN	Mass (kg)
30MB	185	4	300	200	480	625	510	365	290	290	595	945	10	2285	1810	714	320	1660
	200	4	300	200	480	625	510	365	290	290	595	945	10	2535	1870	714	320	1860
	220	4	300	200	480	625	510	365	290	290	595	945	10	2535	1870	714	320	1910
	250	4	300	200	480	625	510	365	290	290	595	945	10	2535	1870	714	320	1980
	280	4	300	200	480	625	510	365	290	290	595	945	10	2535	1870	714	320	2040
	300	4	300	200	480	625	510	365	290	290	645	995	12	2740	2180	752	330	2400
	315	4	300	200	480	625	510	365	290	290	645	995	12	2740	2180	752	330	2400
	335	4	300	200	480	625	510	365	290	290	645	995	12	2740	2180	752	330	2430
355	4	300	200	480	625	510	365	290	290	645	995	12	2740	2180	752	330	2460	
30MC	132	4	300	200	445	585	425	365	270	270	570	878	10	2120	1770	714	320	1210
	150	4	300	200	445	585	425	365	270	270	570	878	10	2210	1790	714	320	1350
	160	4	300	200	445	585	425	365	270	270	570	878	10	2210	1790	714	320	1460
	185	4	300	200	445	585	425	365	270	270	570	878	10	2210	1790	714	320	1490
30MD	110	4	300	250	435	565	410	365	260	260	560	843	10	2090	1700	714	320	1080
	132	4	300	250	435	565	410	365	260	260	560	843	10	2090	1750	714	320	1150
30ME	75	4	300	250	415	530	390	365	245	245	545	810	4	1885	1540	714	310	930
	90	4	300	250	415	530	390	365	245	245	545	810	4	1885	1580	714	310	960
35MB	375	4	350	200	560	720	565	415	335	335	740	1150	12	2915	2340	792	370	3000
	400	4	350	200	560	720	565	415	335	335	740	1150	12	2915	2340	792	370	3000
	425	4	350	200	560	720	565	415	335	335	740	1150	12	2915	2340	792	370	3090
	450	4	350	200	560	720	565	415	335	335	740	1150	12	2915	2370	792	370	3110
	475	4	350	200	560	720	565	415	335	335	740	1150	12	3185	2630	822	370	3700
	500	4	350	200	560	720	565	415	335	335	740	1150	12	3185	2630	822	370	3700
	530	4	350	200	560	720	565	415	335	335	740	1150	12	3185	2630	822	370	3790
	560	4	350	200	560	720	565	415	335	335	740	1150	12	3185	2630	822	370	3790
	600	4	350	200	560	720	565	415	335	335	740	1150	12	3185	2630	822	370	3870
	630	4	350	200	560	720	565	415	335	335	740	1150	12	3185	2630	822	370	3870
35MC	280	4	350	200	510	655	520	415	310	310	710	1068	10	2595	1960	774	360	2160
	300	4	350	200	510	655	520	415	310	310	710	1068	12	2800	2300	792	370	2560
	315	4	350	200	510	655	520	415	310	310	710	1068	12	2800	2300	792	370	2560
	335	4	350	200	510	655	520	415	310	310	710	1068	12	2800	2300	792	370	2590
	355	4	350	200	510	655	520	415	310	310	710	1068	12	2800	2300	792	370	2620
	375	4	350	200	510	655	520	415	310	310	710	1068	12	2800	2300	792	370	2710
	400	4	350	200	510	655	520	415	310	310	710	1068	12	2800	2300	792	370	2710
	400	4	350	200	510	655	520	415	310	310	710	1068	12	2800	2300	792	370	2710
35MD	185	4	350	250	480	620	450	415	295	295	645	970	10	2280	1870	774	360	1610
	200	4	350	250	480	620	450	415	295	295	645	970	10	2530	1930	774	360	1810
	220	4	350	250	480	620	450	415	295	295	645	970	10	2530	1930	774	360	1860
	250	4	350	250	480	620	450	415	295	295	645	970	10	2530	1930	774	360	1930
35ME	132	4	350	250	460	590	435	415	280	280	580	880	10	2140	1800	774	350	1230
	150	4	350	250	460	590	435	415	280	280	580	880	10	2230	1840	774	360	1400
	160	4	350	250	460	590	435	415	280	280	580	880	10	2230	1840	774	360	1510
	185	4	350	250	460	590	435	415	280	280	580	880	10	2230	1840	774	360	1540
45MB	335	6	450	250	656	820	750	500	410	410	910	1395	12	3380	2870	942	490	4580
	355	6	450	250	656	820	750	500	410	410	910	1395	12	3380	2870	942	490	4580
	375	6	450	250	656	820	750	500	410	410	910	1395	12	3380	2870	942	490	4580
	400	6	450	250	656	820	750	500	410	410	910	1395	12	3380	2870	942	490	4580
	425	6	450	250	656	820	750	500	410	410	910	1395	12	3380	2870	942	490	4580
	450	6	450	250	656	820	750	500	410	410	910	1395	12	3380	2870	942	490	4580
	475	6	450	250	656	820	750	500	410	410	910	1395	12	3380	2870	942	490	4580
	500	6	450	250	656	820	750	500	410	410	910	1395	12	3380	2870	942	490	4580
45MC	530	6	450	250	656	820	750	500	410	410	910	1395	12	3380	2870	942	490	4580
	560	6	450	250	656	820	750	500	410	410	910	1395	12	3380	2870	942	490	4580
	600	6	450	250	656	820	750	500	410	410	910	1395	14	3540	3030	934	500	5640
	220	6	450	250	610	770	630	515	390	390	840	1275	12	3015	2490	932	440	3270
	250	6	450	250	610	770	630	515	390	390	840	1275	12	3015	2490	932	440	3270
	280	6	450	250	610	770	630	515	390	390	840	1275	12	3015	2490	932	440	3270
45MD	160	6	450	300	595	735	620	510	360	360	760	1160	10	2510	2050	894	430	2050
	185	6	450	300	595	735	620	510	360	360	760	1160	10	2760	2110	894	430	2400
	200	6	450	300	595	735	620	510	360	360	760	1160	10	2760	2110	894	430	2400

Unit(mm)																		
Frame No.	Motor output (kW)	Pole	Ds	Dd	A	C	E	F	EDs	EDd	H	PH	G	L	BN	BW	NN	Mass (kg)
45ME	110	6	450	350	550	690	590	510	350	350	700	1075	4	2320	1970	894	420	1640
	132	6	450	350	550	690	590	510	350	350	750	1125	10	2420	2010	894	430	1880
	150	6	450	350	550	690	590	510	350	350	750	1125	10	2420	2010	894	430	1880
	160	6	450	350	550	690	590	510	350	350	750	1125	10	2420	2010	894	430	1880
50MC	425	6	500	300	740	905	710	580	440	440	990	1490	12	3550	2980	1074	490	4900
	450	6	500	300	740	905	710	580	440	440	990	1490	12	3550	2980	1074	490	4900
	475	6	500	300	740	905	710	580	440	440	990	1490	12	3550	2980	1074	490	4900
	500	6	500	300	740	905	710	580	440	440	990	1490	12	3550	2980	1074	490	4900
	530	6	500	300	740	905	710	580	440	440	990	1490	12	3550	2980	1074	490	4900
	560	6	500	300	740	905	710	580	440	440	990	1490	12	3550	2980	1074	490	4900
50MD	600	6	500	300	740	905	710	580	440	440	990	1490	14	3710	3110	1074	490	5950
	300	6	500	350	675	840	690	580	415	415	915	1380	12	3150	2600	1052	490	3580
	315	6	500	350	675	840	690	580	415	415	915	1380	12	3150	2600	1052	490	3580
	335	6	500	350	675	840	690	580	415	415	915	1380	12	3420	2890	1052	490	4450
	355	6	500	350	675	840	690	580	415	415	915	1380	12	3420	2890	1052	490	4450
	375	6	500	350	675	840	690	580	415	415	915	1380	12	3420	2890	1052	490	4450
50ME	400	6	500	350	675	840	690	580	415	415	915	1380	12	3420	2890	1052	490	4450
	185	6	500	400	630	790	665	580	395	395	845	1275	10	2850	2200	1052	470	2610
	200	6	500	400	630	790	665	580										

Outline dimension (Suction bore 800 to 1350)



50Hz

Frame No.	Motor output (kW)	Poles	Ds	Dd	A	C	E	F	EDs	EDd	PSH	Hu	PM	PN	Mass (kg)
800×450C	1600	8	800	450	1150	1380	1100	935	700	700	1160	804	1330	1278	6200
800×600D	1100	8	800	600	965	1165	1060	870	665	665	1120	723	1330	1278	4500
800×600E	750	8	800	600	925	1085	1025	880	645	645	1095	676	1330	1278	3900
800×700F	560	8	800	700	930	1090	1025	880	630	630	1080	686	1330	1278	3700
900×500C	2400	8	900	500	1255	1535	1185	1010	760	760	1280	874	1440	1382	8400
900×700D	1600	8	900	700	1195	1425	1145	940	720	720	1235	786	1440	1382	6600
900×700E	1100	8	900	700	995	1195	1110	950	695	695	1200	733	1440	1382	5000
900×800F	850	8	900	800	1025	1215	1110	950	680	680	1185	745	1440	1382	5000
1000×600C	2500	10	1000	600	1380	1660	1370	1165	875	875	1450	1003	1660	1596	11500
1000×800D	1700	10	1000	800	1295	1575	1325	1085	835	835	1405	902	1660	1596	8800
1000×800E	1200	10	1000	800	1235	1455	1280	1100	805	805	1365	843	1660	1596	7400
1000×900F	900	10	1000	900	1110	1330	1280	1095	785	785	1340	855	1660	1596	6800
1200×900D	3100	10	1200	900	1485	1795	1495	1225	940	940	1620	1029	1870	1800	13600
1200×900E	2000	10	1200	900	1365	1675	1415	1215	890	890	1560	937	1870	1800	10500
1200×1000F	1600	10	1200	1000	1405	1660	1415	1215	885	885	1555	971	1870	1800	10900
1350×1000E	2500	12	1350	1000	1580	1890	1660	1425	1040	1040	1795	1097	2195	2110	16200
1350×1000F	1900	12	1350	1000	1605	1885	1660	1420	1020	1020	1770	1116	2195	2110	15900

Unit (mm)

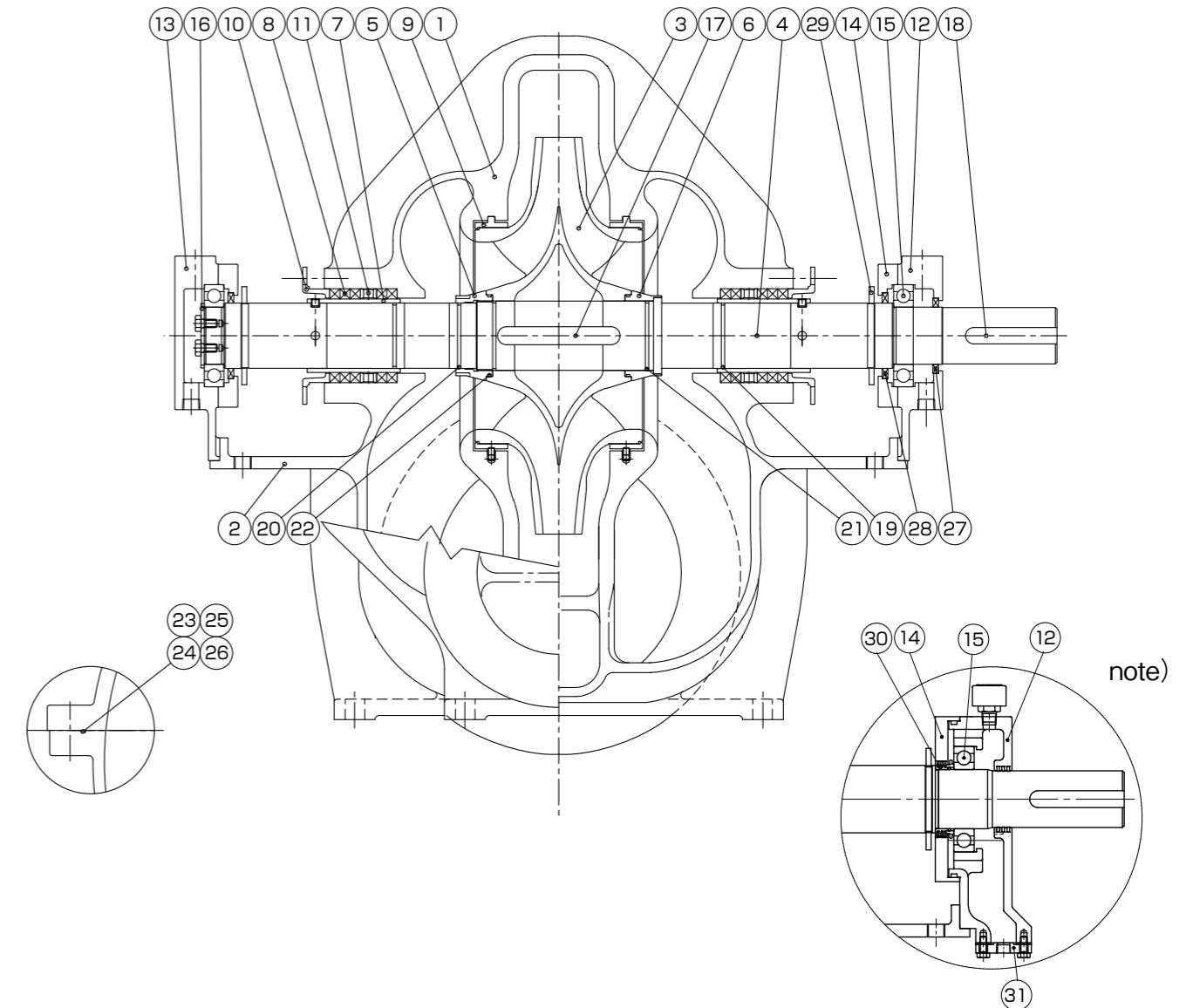
60Hz

Frame No.	Motor output (kW)	Poles	Ds	Dd	A	C	E	F	EDs	EDd	PSH	Hu	PM	PN	Mass (kg)
800×450C	1400	10	800	450	1150	1380	1100	935	700	700	1160	804	1330	1278	6200
800×600D	950	10	800	600	965	1165	1060	870	665	665	1120	723	1330	1278	4500
800×600E	670	10	800	600	925	1085	1025	880	645	645	1095	676	1330	1278	3900
800×700F	500	10	800	700	930	1090	1025	880	630	630	1080	686	1330	1278	3700
900×500C	2100	10	900	500	1255	1535	1185	1010	760	760	1280	874	1440	1382	8400
900×700D	1400	10	900	700	1195	1425	1145	940	720	720	1235	786	1440	1382	6600
900×700E	1000	10	900	700	995	1195	1110	950	695	695	1200	733	1440	1382	5000
900×800F	750	10	900	800	1025	1215	1110	950	680	680	1185	745	1440	1382	5000
1000×600C	2500	12	1000	600	1380	1660	1370	1165	875	875	1450	1003	1660	1596	11500
1000×800D	1700	12	1000	800	1295	1575	1325	1085	835	835	1405	902	1660	1596	8800
1000×800E	1200	12	1000	800	1235	1455	1280	1100	805	805	1365	843	1660	1596	7400
1000×900F	900	12	1000	900	1110	1330	1280	1095	785	785	1340	855	1660	1596	6800
1200×900D	3100	12	1200	900	1485	1795	1495	1225	940	940	1620	1029	1870	1800	13600
1200×900E	2000	12	1200	900	1365	1675	1415	1215	890	890	1560	937	1870	1800	10500
1200×1000F	1600	12	1200	1000	1405	1660	1415	1215	885	885	1555	971	1870	1800	10900
1350×1000E	2700	14	1350	1000	1580	1890	1660	1425	1040	1040	1795	1097	2195	2110	16200
1350×1000F	2100	14	1350	1000	1605	1885	1660	1420	1020	1020	1770	1116	2195	2110	15900

Unit (mm)

Construction drawing

Suction bore 200 to 700



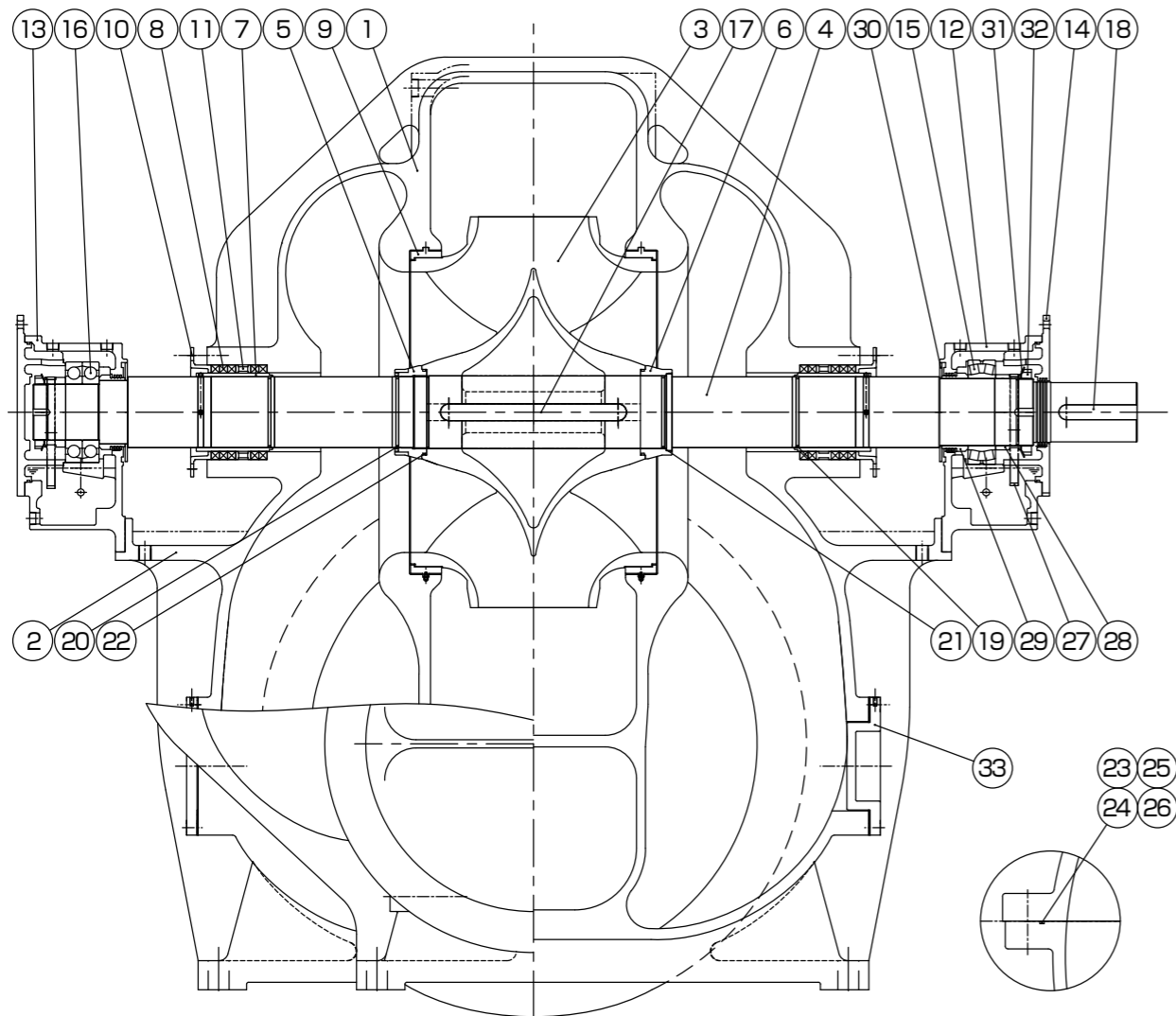
No.	Parts name
①	Upper casing
②	Lower casing
③	Impeller
④	Shaft
⑤	Impeller nut
⑥	Impeller set ring
⑦	Packing sleeve
⑧	Gland packing
⑨	Casing ring
⑩	Gland
⑪	Lantern ring

No.	Parts name
⑫	Bearing support (1)
⑬	Bearing support (2)
⑭	Bearing cover
⑮	Ball bearing
⑯	Bearing collar
⑰	Key (for Impeller)
⑱	Key (for Coupling)
⑲	O-ring (1)
⑳	O-ring (2)
㉑	O-ring (3)
㉒	O-ring (4)

No.	Parts name
㉓	String shaped rubber packing (1)
㉔	String shaped rubber packing (2)
㉕	String shaped rubber packing (3)
㉖	String shaped rubber packing (4)
㉗	Dust seal (1)
㉘	Dust seal (2)
㉙	Deflector
㉚	Distance ring
㉛	Bearing cover(bottom)

note) Oil bearing lubrication is to be applied for Frame No. 20SA, 20SB, 25SA and 25SB instead of the grease

Suction bore 800 to 1350



No.	Parts name	No.	Parts name	No.	Parts name
①	Upper casing	⑫	Bearing support (1)	⑳	O-ring (2)
②	Lower casing	⑬	Bearing support (2)	㉑	O-ring (3)
③	Impeller	⑭	Bearing cover	㉒	O-ring (4)
④	Shaft	⑮	Bearing (1)	㉓	String shaped rubber packing (1)
⑤	Impeller nut	⑯	Bearing (2)	㉔	String shaped rubber packing (2)
⑥	Impeller set ring	⑰	Key (for Impeller)	㉕	String shaped rubber packing (3)
⑦	Packing sleeve	⑱	Key (for Coupling)	㉖	String shaped rubber packing (4)
⑧	Gland packing	㉑	O-ring (1)	㉗	Oil ring
⑨	Casing ring	㉒	O-ring (2)	㉘	Oil ring guide
⑩	Gland	㉓	O-ring (3)	㉙	Distance ring
⑪	Lantern ring	㉔	O-ring (4)	㉚	Deflector
				㉛	Bearing washer
				㉜	Bearing nut
				㉝	Inspection cover

Note) Above drawing shows typical construction drawing. Bearing arrangement depends on the type of lubricant or type of bearing.

Rehabilitation of Babatag Pump Station (Uzbekistan)	
Model	Double suction volute pump
Bore	1400mm
Capacity	266.4m ³ /min
Total Head	78.28m
Motor Output	4500kW
Note	For Irrigation Agriculture. Designed for abrasion resistance in sandy river water.



Nippon Steel & Sumitomo Metal Corporation (Japan)	
Model	Double suction volute pump
Bore	450mm
Capacity	28.7m ³ /min
Total Head	40.0m
Motor Output	300kW
Note	KUBOTA supplied a great number of products to Nippon Steel, one of the largest iron steel manufacturers in Japan.

Sg. Dua Water Treatment Plant (Malaysia)	
Model	Double suction volute pump
Bore	600mm
Capacity	50.5m ³ /min
Total Head	79.0m
Motor Output	1000kW
Note	For City Water Supply. Distributing treated water to the people and industries in Penang State, Malaysia.



Bang Khen Transmission Pumping Station Metropolitan Waterworks Authority (Thailand)	
Model	Double suction volute pump
Bore	1350mm
Capacity	300.0m ³ /min
Total Head	35.0m
Motor Output	2200kW
Note	For City Water Supply. Supply water to the capital of Thailand, Bangkok, in the main pump station of MWA.

Fertil2 Ammonia Urea Expansion Project (UAE)	
Model	Double suction volute pump
Bore	1200mm
Capacity	217m ³ /min
Total Head	28.3m
Motor Output	1700kW
Note	For Industrial Use. Cooling water pump for petrochemical plant in UAE.



Nippon Coke & Engineering. Corporation (Japan)	
Model	Double suction volute pump
Bore	700mm
Capacity	84.3m ³ /min
Total Head	61.0m
Motor Output	1250kW
Note	For Industrial Use. Deliver desulfurization sorbent for protection of environment.



Oita Co-operative Thermal Power Corporation (Japan)	
Model	Double suction volute pump
Bore	800mm
Capacity	106.7m ³ /min
Total Head	26.0m
Motor Output	570kW
Note	For Power Plant. Deliver cooling water to the facilities in the power plant.

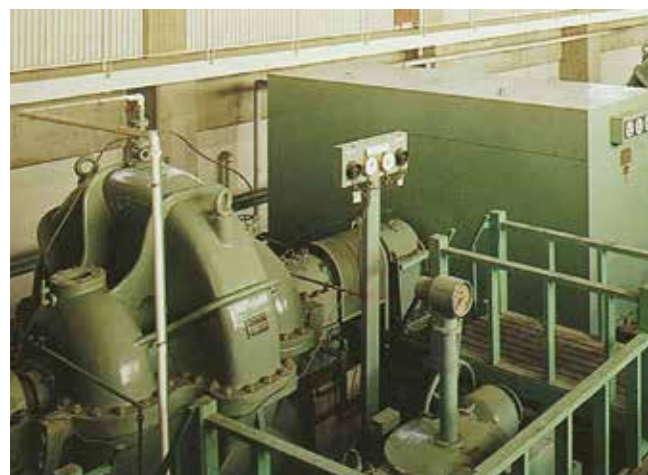


Jebel Ali Power and Desalination Station (UAE)	
Model	Double suction volute pump
Bore	700mm
Capacity	73.7m ³ /min
Total Head	41.0m
Motor Output	690kW
Note	For Desalination Plant. High corrosion resistant duplex stainless steel is used in delivering sea water.

Baosteel Group Corp. (China)	
Model	Double suction volute pump
Bore	350mm
Capacity	21.7m ³ /min
Total Head	127.0m
Motor Output	710kW
Note	For Industrial Use. Baosteel has used Kubota pumps since established.



Right-bank of Sinano-river Pump Station, Hokuriku Agriculture Bureau (Japan)	
Model	Double suction volute pump
Bore	900mm
Capacity	100.5m ³ /min
Total Head	22.7m
Motor Output	470kW
Note	For Irrigation Agriculture. Supplying agricultural water at government-run agricultural pumping station.



Fuji River Transmission Pumping Station (Japan)	
Model	Double suction volute pump
Bore	1200mm
Capacity	202.0m ³ /min
Total Head	60.0m
Motor Output	3100kW
Note	For Industrial Use. Deliver water from Fuji River to nearby industrial area.



Chongqing Water works (China)	
Model	Double suction volute pump
Bore	350mm
Capacity	18.0m ³ /min
Total Head	79.0m
Motor Output	315kW
Note	Vibration problem been solved by replacement of the others into KUBOTA. A great number of pumps are supplied these days.